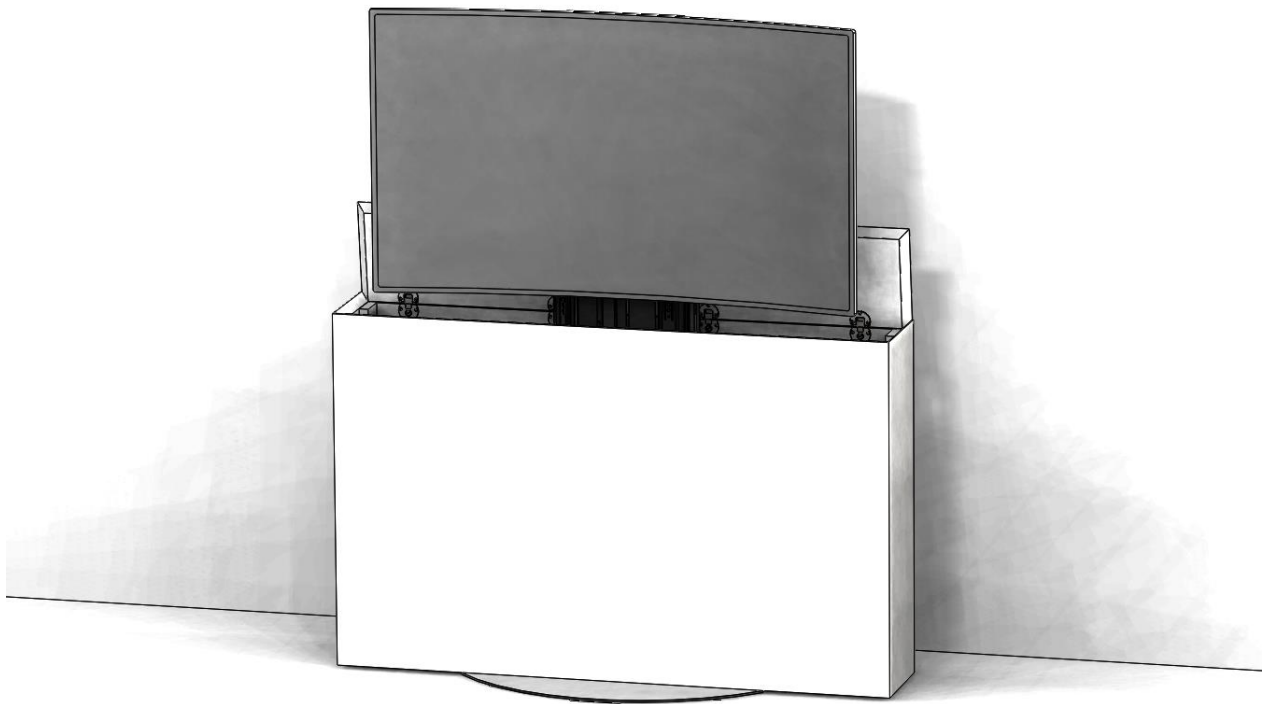
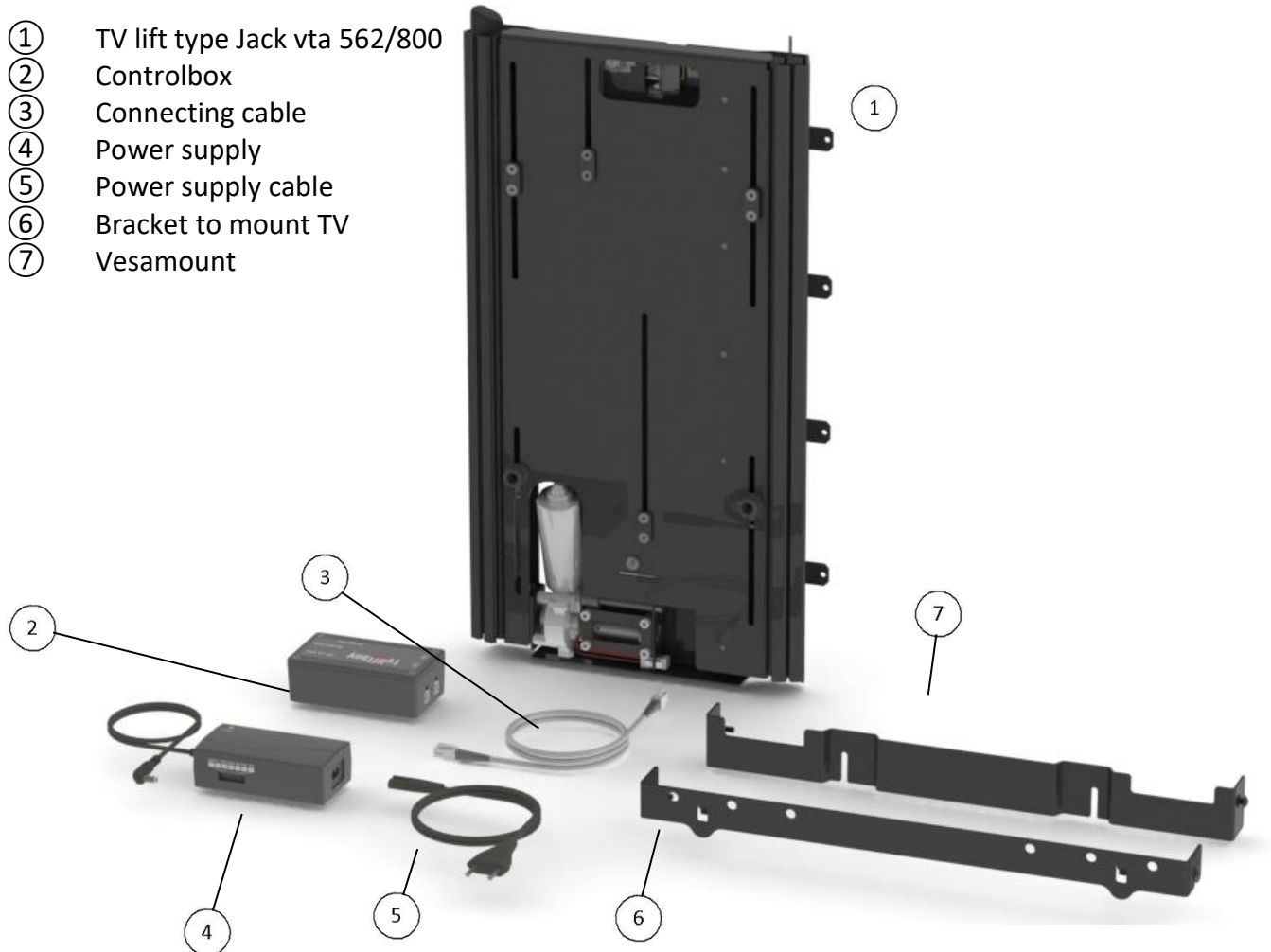


Cassette with integrated television lifting system



The TV lift assembled in the Cassette contains the following parts:

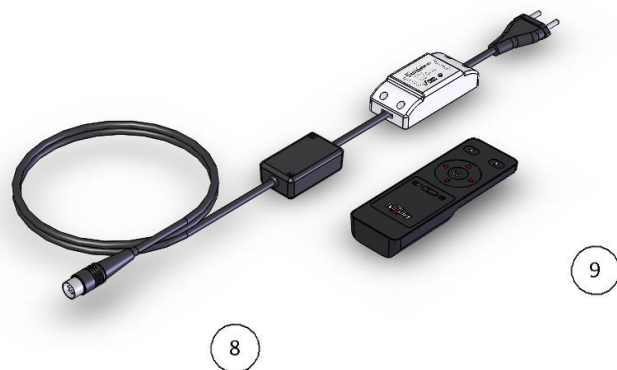
- ① TV lift type Jack vta 562/800
- ② Controlbox
- ③ Connecting cable
- ④ Power supply
- ⑤ Power supply cable
- ⑥ Bracket to mount TV
- ⑦ Vesamount



Depending on the method of operation, the following items are supplied:

Operation via RF:

- ⑧ RF connector cable
- ⑨ RF receiver



Specifications of the Cassette series:

The TV lift that forms an integral part of all our Cassettes is the most compact available on the market today. In compliance with the ultra thin LED TV screens, this TV lift allows for a slim design taking up a minimum of space. Hence the Cassettes are ideal for placement at the foot end of a bed but living and/or dining areas are suitable as well. For everyone who does not like the look of a television when it is switched off. The lift has a low noise level and runs smooth and evenly.

The Cassette in its standard configuration is made from MDF board material with a satin white (RAL 9010) finishing. Other colours are optional. The cover flap has miter cut edges and the stable footing prevents the Cassette from tilting.

The lifting system and footing are made from zinc plated-powder coated sheet metal. Wall mounting is also an option and so are variations in measurements or, the use of wheels. Combining these variations allow you to customise your Cassette in order to fit your interior.

TV brackets are part of the lift and are in compliance with Vesa sizes 200, 300 and 400. Your TV screen (or display) can be mounted on to these brackets ensuring a secure connection.

The Cassette is delivered with a pre-installed television lift. For addresses outside of the Netherlands we parcel up the Cassette in a wooden casing, in order to prevent damage during transportation. Once arrived, the following steps are left to be taken care of:

- Mounting of your television
- Guidance of cables within the cassette
- Installing the appropriate stroke length

Pricing – standard versions ex Works incl. VAT:

Cassette 32" incl. tv lift	€ 2.050,00
Cassette 46" incl. tv lift	€ 2.090,00
Cassette 55" incl. tv lift	€ 2.125,00

Options:

Different measurements in terms of height, width or depth

Additional Price:

€ 295,00

Divergent model with two fixed compartments adjacent to cover flap

€ 295,00



Divergent model with additional compartment for other devices (CD/DVD player etc.)

€ 440,00



Wheels hidden under the Cassette

€ 365,00



Wheels underneath a wider platform

€ 120,00

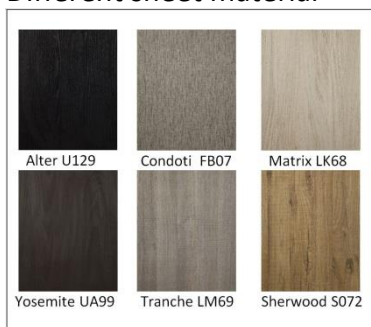


Different RAL colours



Price:
€ 190,00

Different sheet material

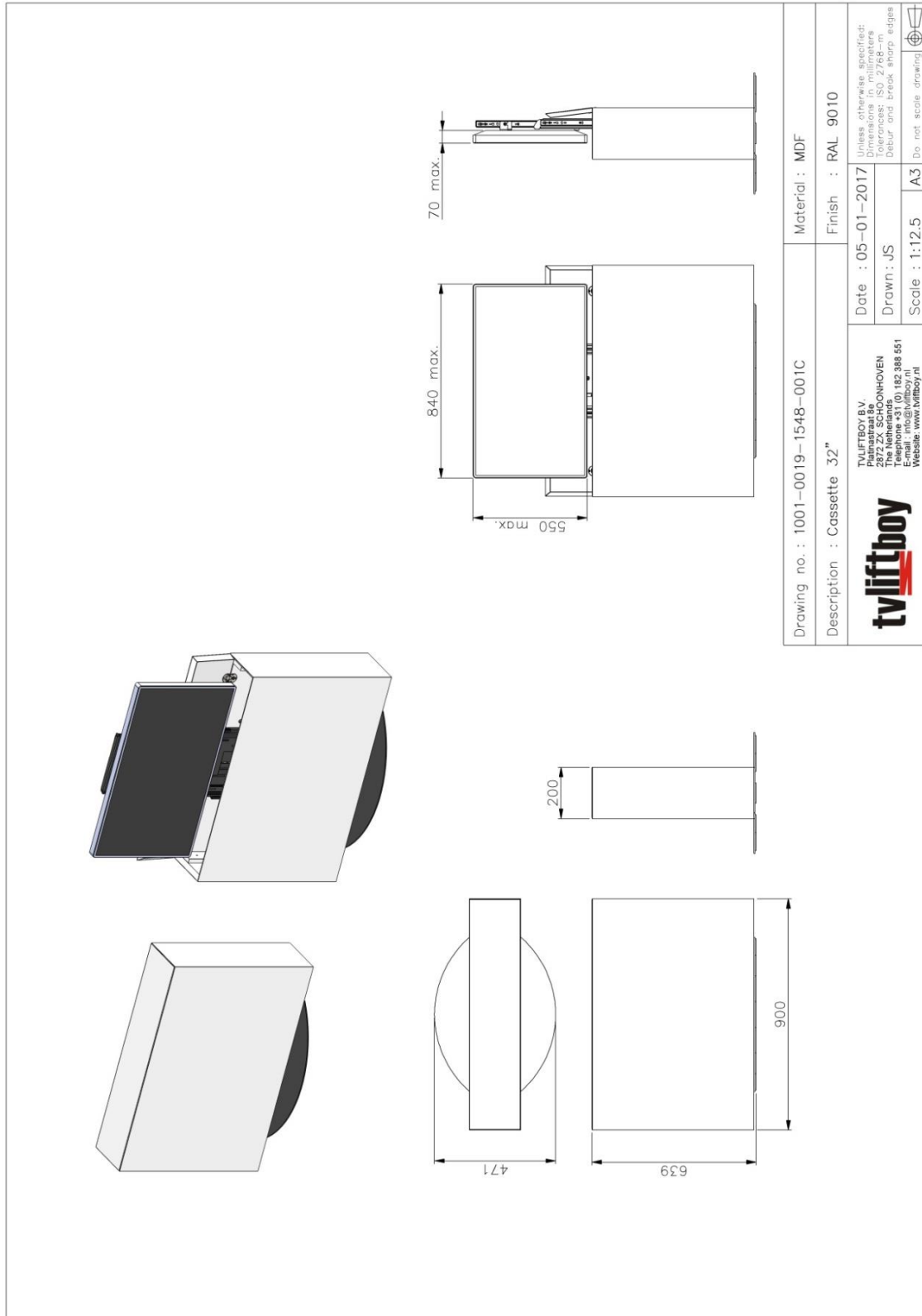


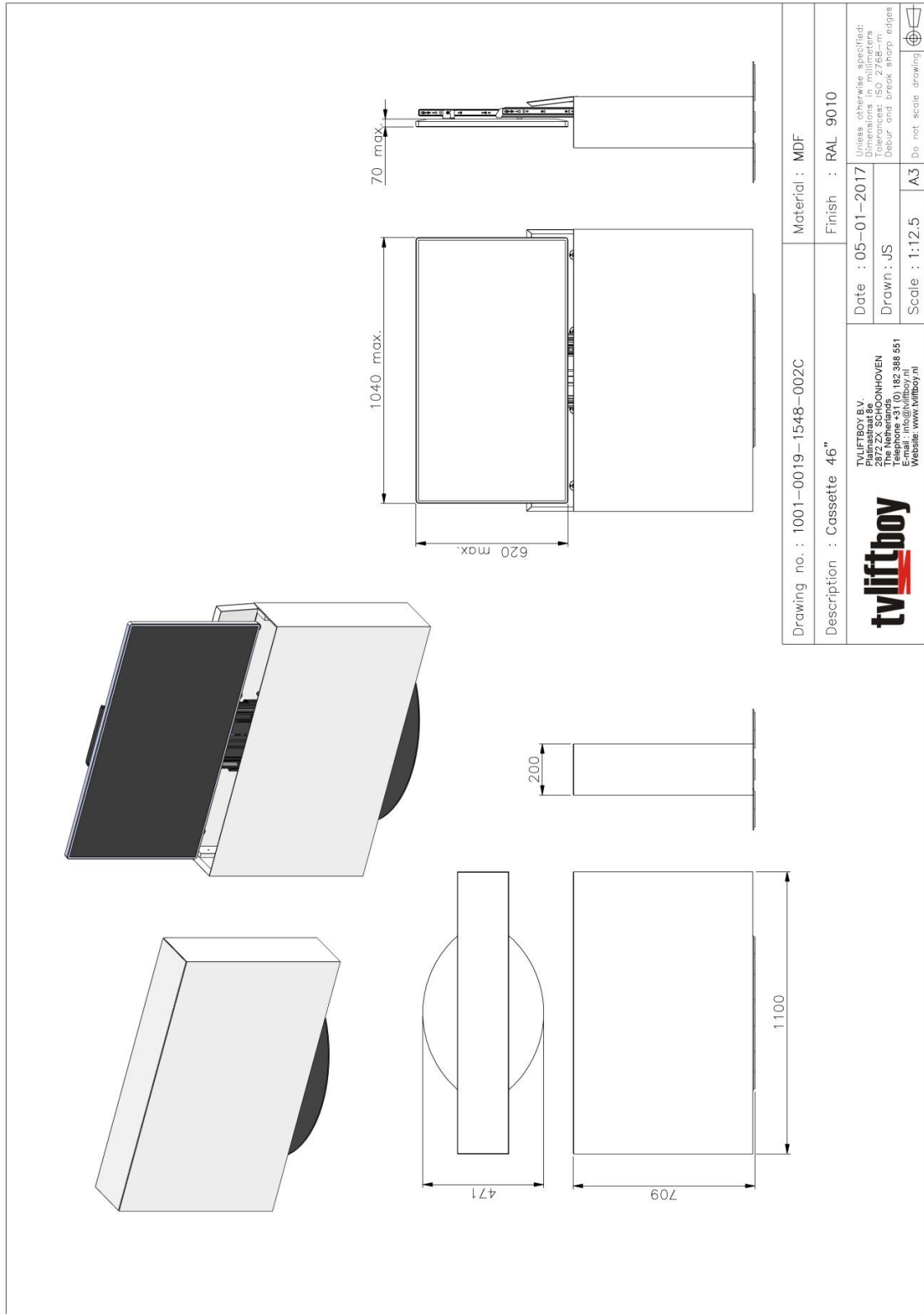
€ 400,00

IR extender



€ 100,00





Drawing no. : 1001-0019-1548-002C	Material : MDF
Description : Cassette 46"	Finish : RAL 9010
<p>TVLIFTBOY B.V. Platinestraat 8e 2872 ZX SCHOONHOVEN The Netherlands Telephone : +31 (0) 182 388 551 E-mail : info@tvliftboy.nl Website: www.tvliftboy.nl</p>	
Date : 05-01-2017	Unless otherwise specified: Dimensions in millimeters Tolerances: ISO 2768-m
Drawn : JS	Debur and break sharp edges
Scale : 1:12.5	Do not scale drawing
	A3



